



Ampicker

Sheet Separator

SPECIFICATION

Standard Features :

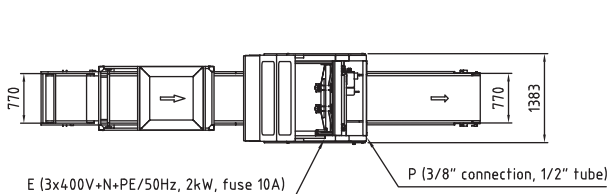
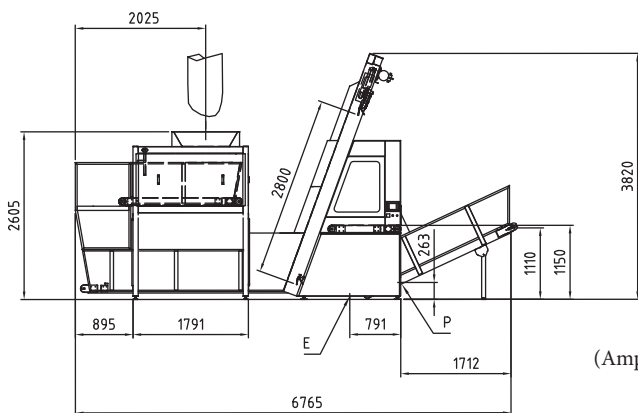
- Up to 1700 sheets/hour
- Double picker
- Independent clamps
- Touch screen panel
- All timing belt driven

Optional Features :

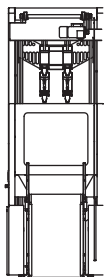
- Batch separator
- Bypass conveyer
- Delivery conveyers
- Chute
- Lower version

Technical Information :

- Electrical
 - Voltage : 3x400V+N+PE / 50 Hz
 - Power : 2.1 kW, Fuses 10A
- Pneumatic
 - Pressure : 6 -10 Bar
 - Consumption : 3600NI / 1000 movements
 - Connection : 3/8" (1/2" tube)
- Miscellaneous
 - Noise level : 75 dBA
 - Production Materials Sheets, table sheets, draw sheets, duvets
 - Quantity : Up to 1700 sheets



(Ampicker with batchseparator bypassconvayor H=1100)



Specification of design is subject to change without notice. For additional options please consult factory and distributor.



ISO 9001 : 2008



ISO 14001 : 2004

ACCURATE TECHNOLOGIES CO., LTD.

Bangkok, Thailand Phone : +66(0)2740-5511 (Auto) Fax : +66(0)2752-2773

Website : www accuratethai.com Email : sales@accuratethai.com

Rev. 2015-001